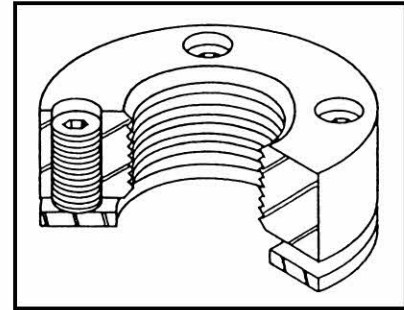




Mill Motor Nuts SMX Series

Superbolt[®] Mill Motor Nuts are special jamnuts designed to fasten brake wheels, couplings, and pulleys to mill motors. They are directly interchangeable with nuts supplied by the motor manufacturers.

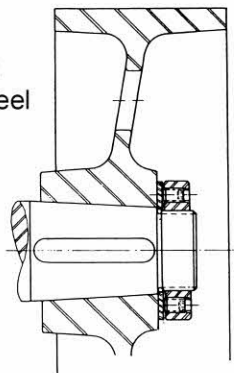


Standard Mill Motor Nuts

Frame Sizes	Part Number	Thread Dia. (in)	TPI	Set Screw Dia. (in)	Allen or Hex Bit Size (in)
802-602-403-404	SMX-802/w	1.000	8	3/8	3/16
803-804-603-604-2MCS	SMX-803/w	1.250	8	3/8	3/16
806-606-406-102-104-20MC-3MCS-4MCS-4MCS-6MCS	SMX-806/w	1.500	8	1/2	1/4
808-608-410-104 1/2-40MC-50MC-8MCS	SMX-808/w	2.000	8	1/2	1/4
810-610-412-106	SMX-810/w	2.250	8	5/8	5/16
812-612-414-60MC-70MC-10MCS-12MCS	SMX-812/w	2.500	8	5/8	5/16
814-614	SMX-814/w	3.000	8	5/8	5/16
816-616-80MC-14MCS	SMX-816/w	3.250	8	5/8	5/16
818-618-90MC-16MCS-18MCS	SMX-818/w	3.500	8	5/8	5/16
820-822-620-622	SMX-820/w	4.000	8	5/8	5/16
824-624	SMX-824/w	4.000	8	5/8	5/16
Other Standard Sizes					
402	SMX-050-20/w	0.500	20	5/16	5/32
	SMX-062-18/w	0.625	18	5/16	5/32
	SMX-075-10/w	0.750	10	3/8	3/16
	SMX-075-14/w	0.750	14	3/8	3/16
	SMX-087-12/w	0.875	12	3/8	3/16
	SMX-100-12/w	1.000	12	3/8	3/16
408-103-105-30MC-2MCS	SMX-100-14/w	1.000	14	3/8	3/16
	SMX-175-8/w	1.750	8	1/2	1/4
	SMX-175-12/w	1.750	12	1/2	1/4
416MD-418MD 109	SMX-275-8/w	2.750	8	5/8	5/16
	SMX-300-8/w	3.000	8	5/8	5/16

Design Examples of Superbolt[®] Mill Motor Nuts:

Mill Motor Nut
with brake wheel



Mill Motor Nut
with V-belt pulley

